



DIECI

MINI AGRI



MINI AGRI

UNIQUELY PRODUCTIVE:

Mini Agri is the ideal machine for manoeuvres in tight spaces, with plenty of power, excellent handling and precision movement control.

Approved for use with a man basket without outriggers or foam-filled tyres.

The combination of the new eco-friendly and more powerful engine and the new hydrostatic transmission delivers amazing performance while drastically **reducing** fuel consumption.

CONCENTRATED POWER



MINI AGRI

EVOLUTION

COMFORT

HANDLING

HI - TECHNOLOGY



EVOLUTION

UNIQUELY PRODUCTIVE

KUBOTA 75 hp
STAGE 3B / Tier 4i

2500 Kg
MAX CAPACITY

6 m
BOOM HEIGHT

HYDROSTATIC
TRANSMISSION

MINI AGRI



HYDROSTATIC TRANSMISSION

The high performance transmission ensures that right speed-to-power ratio is always available, whatever the operating conditions.

Equipped with a single-speed gearbox, accelerates smoothly and progressively to 30 km/h for fluid manoeuvres executed with millimetric precision.

The combined use of the electronic throttle and inching pedal allow the vehicle to be driven at **slow, controlled speeds**, even with the boom at maximum speed.

TOP LEVEL PERFORMANCE TOTAL SAFETY

Astonishing performance, thanks to the boom which achieves the perfect balance between size and strength, capable of lifting **2500 kg** to a height of **6 m**.

Incredibly responsive when working with a shovel, totally free of any uncontrolled movement thanks to the central position of the boom.

MOMENT LIMITER

Every Dieci machine is equipped with a control device that analyzes vehicle stability in real time and inhibits any aggravating movements when the preset safety limits are reached.

NEW ENGINES Stage 3B/Tier 4i with DPF

Concealed beneath the attractively styled body lies the new **75 hp KUBOTA Common Rail Turbo Diesel** with Aftercooler, with full electronic control and compliant with the most recent standards.



Significant **reduction in fuel consumption and longer intervals between services**.

The engine is equipped with a Diesel Particulate Filter (DPF) to reduce harmful exhaust emissions. Intuitive filter regeneration management, with a choice of manual and automatic functions.





COMFORT

ROPS-FOPS

360°

VISIBILITY

**ON-BOARD
COMPUTER**

A/C





ABSOLUTE COMFORT

It's the first thing you notice on board a Mini Agri. The intelligently designed control layout makes the machine simple, intuitive and comfortable to use.

Unparalleled technology with the new **on-board computer**.

The display shows clearly and in real time all the information necessary to operate the vehicle.

The **semi-automatic air conditioning system** with 6 outlet vents allows perfect air circulation inside the cabin.



Inside the cab everything has been designed in order to make work easier for the operator.

Soundproofing, height **adjustable steering** wheel height, storage compartments and various accessories such as **air conditioning**, radio, sunshade and pneumatic ergonomic seat allow to operate in conditions of total comfort.

The windscreen wiper also cleans the glass at the top of the cab.

A wide mesh safety grille and one of the highest driving positions in its class provide an unrivalled visibility of **360°**.



HANDLING

NEW
JOYSTICK

INCHING PEDAL

AGILITY

MINI AGRI





ALL THE CONTROLS IN ONE HAND *with absolute precision.*

The 4-in-one joystick, standard equipment on all models, provides integrated control of the vehicle. The integral travel direction control allows rapid shuttling between forward and reverse.

The compensated flow sharing control valve allows simultaneous operation of all movements.

The **Joystick** with **capacitive hand sensing** and the operator presence sensor in the seat prevent the risk of accidental operation of the controls.



AGILITY

The high-efficiency steering system ensures that even under high load conditions the steering always feels **light and responsive.**

Manoeuvrability and compact dimensions remain the chief characteristics of this telehandler.

INCHING PEDAL

Essential control when the forward speed must be reduced or stopped, and the maximum hydraulic power is required for the equipment in use.

EASY RIDE

Developed by Dieci design engineers, the sophisticated air suspension system installed on the boom (optional) drastically reduces oscillation when travelling over rough terrain.



TECHNOLOGY

QUICK DEP

DSCS

80 1/1'

COMPENSATION CYLINDER

FRAME





HYDRAULIC SYSTEM

The high-capacity hydraulic pump which provides a flow rate of **80 l/1'**, helps speed up manoeuvres, **reducing operating times by up to 15%**.

COMPENSATION CYLINDER (PATENTED BY DIECI)

Located inside the lifting ram, ensures that the load on the boom is balanced at all times, thereby improving durability.



ISO 24410 UNIVERSAL MOUNTING FRAME

Available as an optional item, this frame ensures the full interchangeability of the all implements normally used on Skid Steer loaders.

QUICK DEP

System for depressurizing the hydraulic service couplers: makes the connection of implements easy and effortless.



ROPS-FOPS approved cab designed with safety cell. Innovative **DSCS** door made from composite material with high thermal and acoustic insulation properties for improved operator comfort.

STURDY FRAME

The solid frame is one of the defining characteristics of the Dieci Mini Agri; all welds are performed by automated robots to ensure rigidity and total safety, even under high-load conditions.



MADE IN ITALY



FOR THE WORLD

DIECI, with more than half a century of experience and continuous development, achieves the **perfect vehicle** for every need.

Our **Technical Assistance Service** is **present** across the world through an **extensive** network of authorized service centers and Dealers.

The automated spare parts warehouses and the direct assistance with the user, provide a very short time of intervention.

DIECI, within a few hours, can provide worldwide both spare parts and qualified staff.

Warranty

DIECI offers customized warranty extension packs for components and durability.



TECHNICAL SPECIFICATIONS

PERFORMANCE

Maximum capacity (kg)	2.500
Maximum lifting height (m)	5,78
Maximum horizontal outreach (m)	3,25
Outreach at maximum height (m)	0,67
Fork swiveling angle	129°
Pull-out force (daN)	5.700
Towing force (daN)	4.400
Maximum climb angle	40 %
Total weight when empty (kg)	4.800
Maximum speed (km/h)	30*

* referred to wheels having the maximum allowable diameter

BOOM

Times: empty (seconds)	
Lifting	7,8
Descent	4,1
Extension	6,1
Retraction	3,4
Forward swiveling	3,5
Reverse swiveling	2,2

Patented compensation system

ENGINE

Model	Kubota
Maximum power kW (hp)	55,4 (74,3)
Revolutions per minute (rpm)	2600
Operation	4-stroke Diesel
Injection	Direct
Number and arrangement of cylinders	4, vertical in line
Displacement (cm ³)	3331
Specific consumption at 2600 rpm (g/kWh) *	231
Emission standards	DPF (Tier 4/Stage 3B)

* at maximum power Turbo compressor / Liquid cooling system

TIRES

Tires	12.0/75 - 18"
Alternative	12 - 16.5"

TRANSMISSION

Hydrostatic transmission with variable displacement pump
Hydrostatic engine with automatic adjustment
Electro-hydraulic reversing
Inching pedal for controlled forward movement

HYDRAULIC SYSTEM

Gear pump with max. capacity (l/1')	80
Max operating pressure (bar)	230
Distributor control with joystick	3 w 1

DIFFERENTIAL AXLES

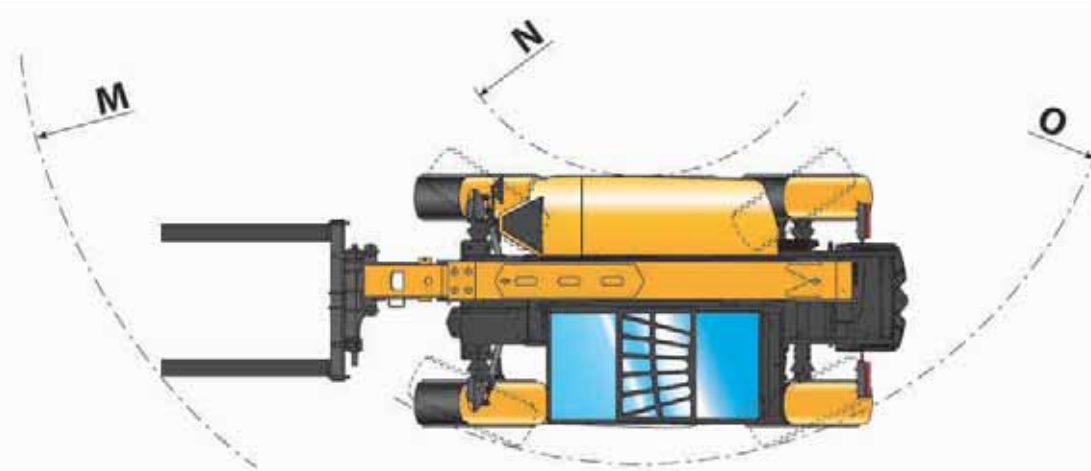
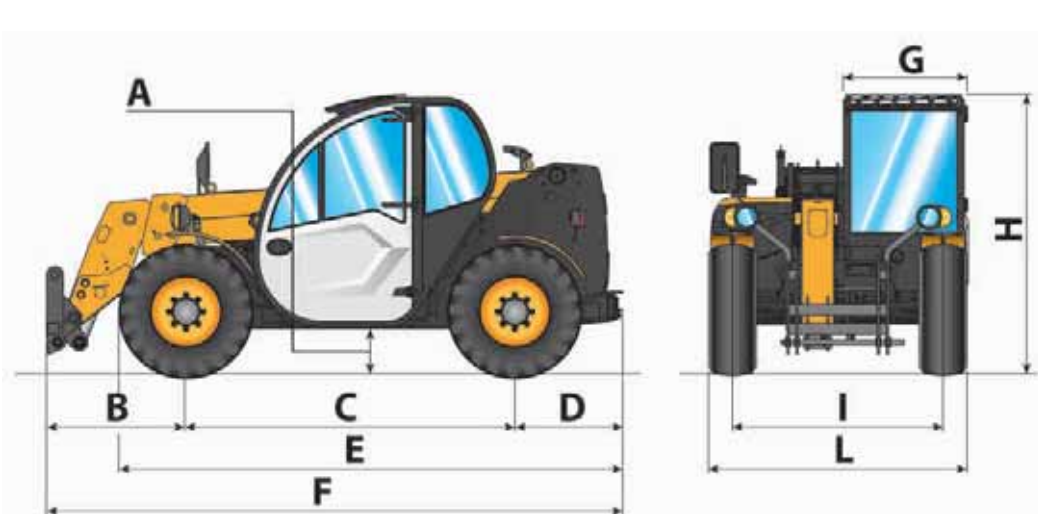
Steering axles: 2 with planetary reduction gears
Type of steering: 4 wheels / transversal / 2 wheels
Front axle: rigid
Rear axle: oscillating
Oil bath service brakes on front axle
Negative action parking brake

REFUELING (liters)

Hydraulic system (total)	70
Diesel tank	80

OPTIONALS AND ACCESSORIES

A/C
Water Heaters
Seat pneumatic suspension
Light on boom head
LED work lights
Quick coupling for accessories
Radio
Anti-theft system
Window protection
(for further customizations, contact your local dealer).



The photos in this catalog are purely indicative due to the constant evolution and research

DIMENSIONS

A	320
B	985
C	2350
D	765
E	3585
F	4100
G	860
H	1985
I	1500
L	1840
M	4540
N	1460
O	3555

dimensions in millimeters

TYPE APPROVAL

Type approved as an agricultural vehicle

Vehicle not suitable for towing trailers on public roads and roads used by the public

STANDARD EQUIPMENT

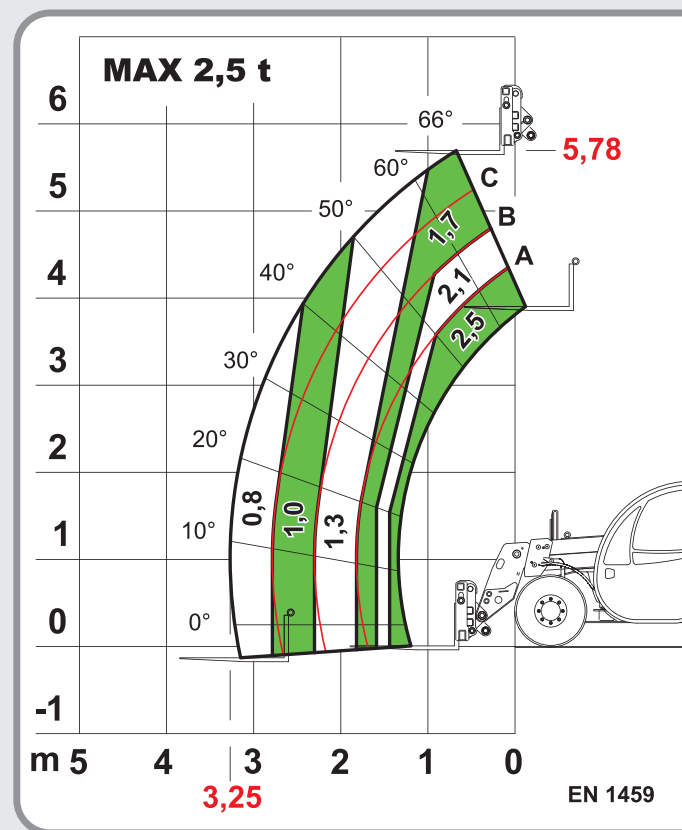
Anti-roll-over device with inhibition of aggravating movements

Hydraulic coupler for accessories on boom head

Soundproofed, type-approved ROPS - FOPS enclosed cab, with heating

Self-locking differential on front axle (limited slip 45%)

Digital speedometer



Mini Agri 25.6

